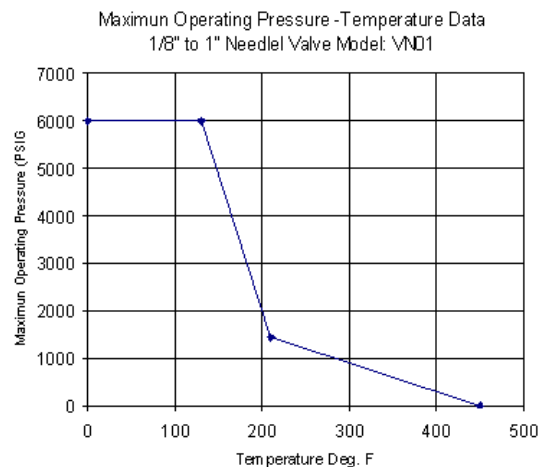
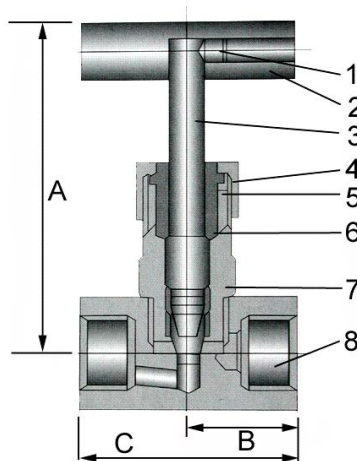


VNO1: Needle Valve Specifications



Model: VNO1 Specifications	
End Connections:	NPT threaded ASME b1.20.1 DIN 2999 & BS21; ISO 228/1 & ISO 7/1
Max. Operating Pressure:	6000 PSIG @ 100 °F*
Operating Temperature Range:	-60 to 450°F*
Fire safe design	

Dimensions (mm)					
Size	1/4"	3/8"	1/2"	3/4"	1"
A	75	75	87	90	103
B	25	25	30	32.5	40
C	50	50	60	65	80
Cv	0.43	0.74	1.36	2.64	3.6
Panel Hole	20	20		22	24

Main Parts and Materials		
No	Part Name	Material
1	SET SCREW	SS304
2	HANDLE	SS410
3	STEM	SS316
4	GLAND NUT	SS304
5	GLAND	SS304
6	PACKING	TEFLON
7	BONNET	SS316/CF8M
8	BODY	SS316/CF8M